



Combo prep station

A+ fridge above shallow drawer (ASS2)
or shallow above A+ fridge drawer (SAS2)



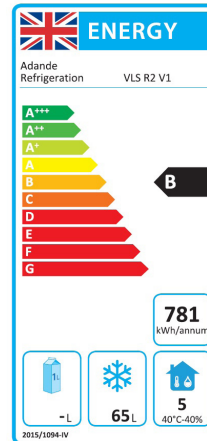
Blast Chill

For added functionality a BC option is available with Standard Drawers

Applications

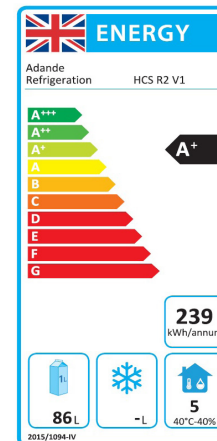
- Ergonomic storage solution, right at the point of use
- Ideal for meat, deli & dessert prep
- Perfect for garnish and 'mise en place' generally
- Frozen storage by the deep fry station, with worktop mounted Fry Basket Rack as an optional extra

Hydrocarbon R600a Refrigerant



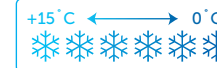
Shallow Drawer

'B' Energy Rating in freezer mode
'A+' Energy Rating in fridge mode
(Consumption 325 kWh/annum)



A+ Fridge Drawer

'A+' Energy Rating
(Consumption 239 kWh/annum)



Storage Capacity

Standard Drawer	Shallow Drawer
Gastronorm Pans 4 x 1/1 GN 100 mm Deep or equivalent	Gastronorm Pans 4 x 1/1 GN 75 mm Deep or equivalent
Maximum Weight 40 kg of Food	Maximum Weight 30 kg of Food
Volume 86 Litres	Volume 65 Litres

Climate Testing

Tested to **Climate Class 4** (30°C & 55% relative humidity) for temperature and energy consumption and to **Climate Class 5** (40°C & 40% relative humidity) for temperature

Electrical

Mains Supply
230 Vac 50 Hz

Power Socket (included)
Correct 2 or 3 Pin Plug fitted for each country

Mains Lead (included)
2 Metre Coiled Lead



Options

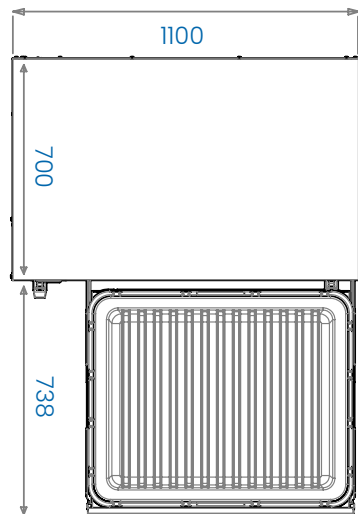
A+ Fridge above Shallow Drawer – Code: [ASS2](#) or Shallow above A+ Fridge Drawer – Code: [SAS2](#)

PREP STATION + SOLID WORKTOP (W)	High castor base (HC)		Standard castor base (C)		Small castor base (SC)		Rollers & feet base (R)		Small rollers & feet base (SR)		Locking roller base (L)		Small locking roller base (SL)	
Finished height	913 mm	SAS2/HCW ASS2/HCW	842 mm	SAS2/CW ASS2/CW	821 mm	SAS2/SCW ASS2/SCW	797 mm	SAS2/RW ASS2/RW	787 mm	SAS2/SRW ASS2/SRW	797 mm	SAS2/LW ASS2/LW	787 mm	SAS2/SLW ASS2/SLW
Load-bearing capacity	137 kg		214 kg		439 kg		240 kg		241 kg		213 kg		213 kg	

For full options please see our [Drawer Customising](#) and [Accessories](#) pages

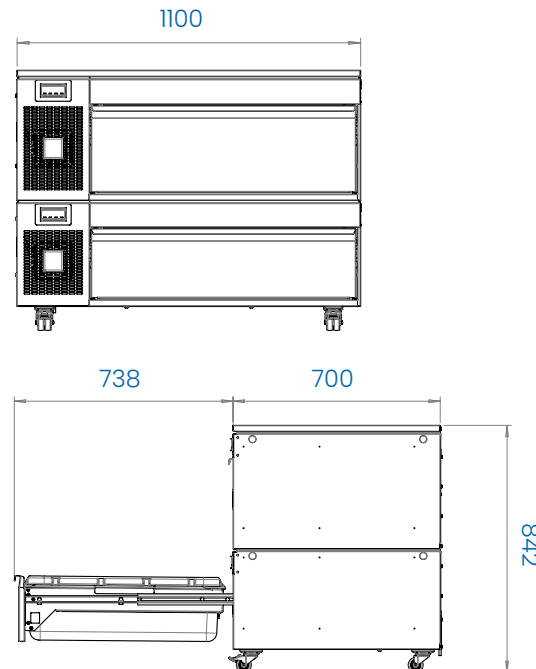
Plan View

Combo Prep station ([SAS2 & ASS2](#))
With Open Drawer



Elevation

Combo Counter Prep Station ([SAS2 & ASS2](#))
Standards Castors (C)
Solid Worktop (W)
[SAS2/CW & ASS2/CW](#) (Illustrated)



Tops



Double Drawer Module



Base

