



Combo under counter

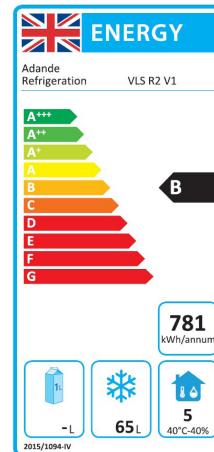
Shallow above A+ fridge drawer (SAS2)
or A+ fridge above shallow drawer (ASS2)



Applications

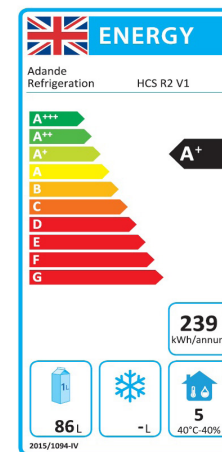
- Ergonomic storage solution, right at the point of use
- Ideal for meat, deli & dessert prep
- Perfect for garnish and 'mise en place' generally
- Frozen storage by the deep fry station, with worktop mounted Fry Basket Rack as an optional extra

Hydrocarbon R600a Refrigerant



Shallow Drawer

'B' Energy Rating in freezer mode
'A' Energy Rating in fridge mode
(Consumption 325 kWh/annum)



A+ Fridge Drawer

'A+' Energy Rating
(Consumption 239 kWh/annum)

Storage Capacity

Standard Drawer	Shallow Drawer
Gastronorm Pans 4 x 1/1 GN 100 mm Deep or equivalent	Gastronorm Pans 4 x 1/1 GN 75 mm Deep or equivalent
Maximum Weight 40 kg of Food	Maximum Weight 30 kg of Food
Volume 86 Litres	Volume 65 Litres

Climate Testing

Tested to Climate Class 4 (30°C & 55% relative humidity) for temperature and energy consumption and to Climate Class 5 (40°C & 40% relative humidity) for temperature

Electrical

Mains Supply
230 Vac 50 Hz

Power Socket (included)
Correct 2 or 3 Pin Plug fitted for each country

Mains Lead (included)
2 Metre Coiled Lead



Options

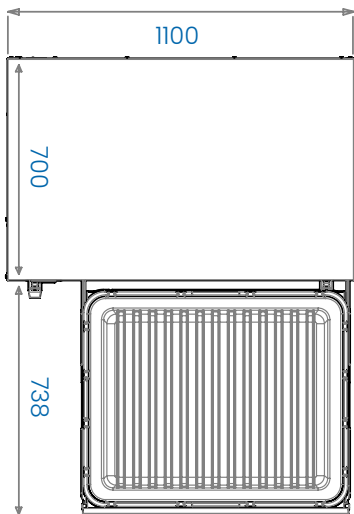
A+ Fridge above shallow drawer – code: [ASS2](#) or shallow above A+ fridge drawer – code: [SAS2](#)

UNDER COUNTER + COVER TOP (T)	High castor base (HC)		Standard castor base (C)		Small castor base (SC)		Rollers & feet base (R)		Small rollers & feet base (SR)		Locking roller base (L)		Small locking roller base (SL)	
Finished height	904 mm	SAS2/HCT ASS2/HCT	833 mm	SAS2/CT ASS2/CT	812 mm	SAS2/SCT ASS2/SCT	788 mm	SAS2/RT ASS2/RT	778 mm	SAS2/SRT ASS2/SRT	788 mm	SAS2/LT ASS2/LT	778 mm	SAS2/SLT ASS2/SLT
Load-bearing capacity	0 kg		0 kg		0 kg		0 kg		0 kg		0 kg		0 kg	

For full options please see our [Drawer Customising and Accessories](#) pages

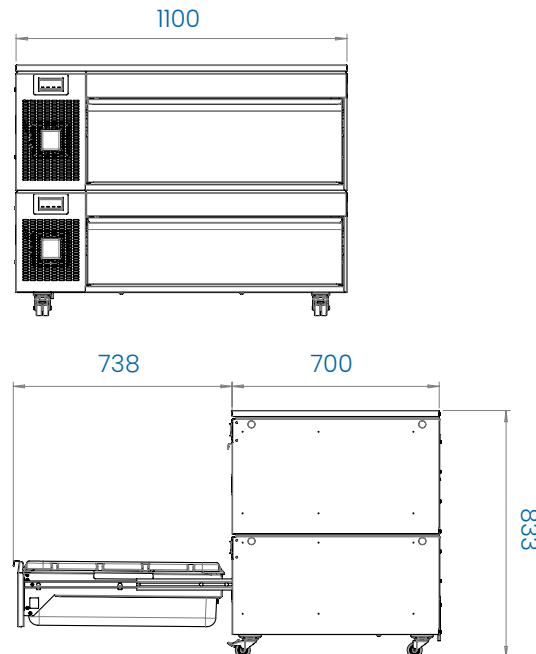
Plan View

Combo prep station ([SAS2 & ASS2](#))
With open drawer



Elevation

Combo under counter ([SAS2 & ASS2](#))
Standards castors (C)
Cover top (T)
[SAS2/CT & ASS2/CT](#) (Illustrated)



Tops



Double Drawer Module



Base

